

KUSB Series Universal Serial Bus

Features



- Compatible With Many Computer Peripherals
- Supports Hot Plugging
- Contact Area with Gold Plating
- CSA/NRTL Certified File No. LR78160

Performance Specifications

Materials and Finish

Shell

Phosphor Bronze

Insulator

Black Thermoplastic, UL94V-0 Rated

Contacts

Phosphor Bronze

Electrical Characteristics

Rated Voltage

30V AC (RMS)

Contact Current Rating

1 Amp DC Max.

Contact Resistance

15 Milliohms Max.

Insulation Resistance

1000 Megohms Min.

Dielectric Withstanding Voltage

750V AC For 1 Minute

Operating Temperature

-25°C to +80°C

UNIVERSAL SERIAL BUS

KUSB Series

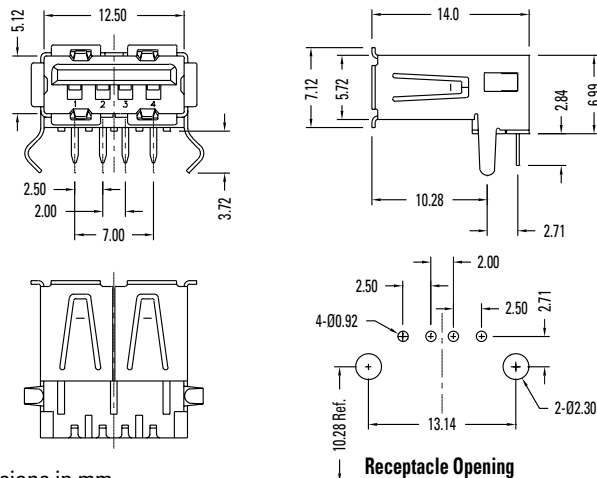
Ordering Information

Part Number	Description
KUSB-AS-1-N-BLK	Single A Type Right Angle Socket
KUSB-BS-1-N-BLK	Single B Type Right Angle Socket
KUSB-AS-2-N-BLK	Stacked A Type Right Angle Socket
KUSBV-AS-1-N-BLK	Single A Type Vertical Socket
KUSB-SMT-AS1N-B	Single A Type SMT Right Angle Socket
KUSB-SMT-BS1N-B	Single B Type SMT Right Angle Socket

Plating Options	Plating Description
Standard	Gold flash over nickel on contacts. Tin/lead over nickel on soldertails.
30	30μ"gold over nickel on mating end of contacts. Tin/lead over nickel on soldertails.

KUSB Series Dimensions

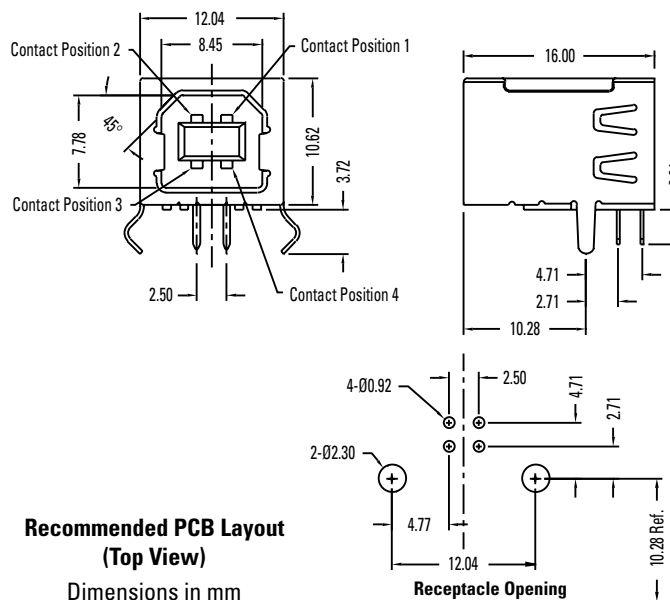
KUSB-AS-1-N-BLK



Dimensions in mm

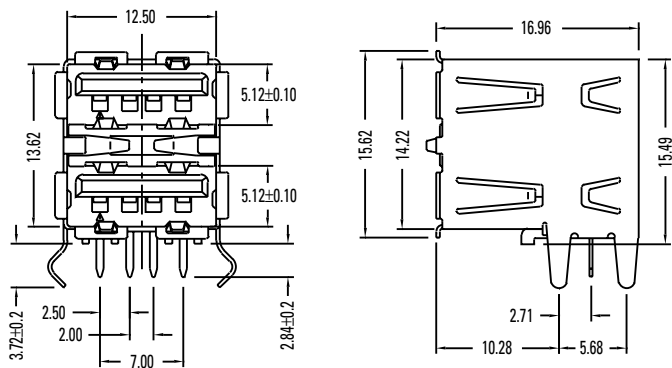
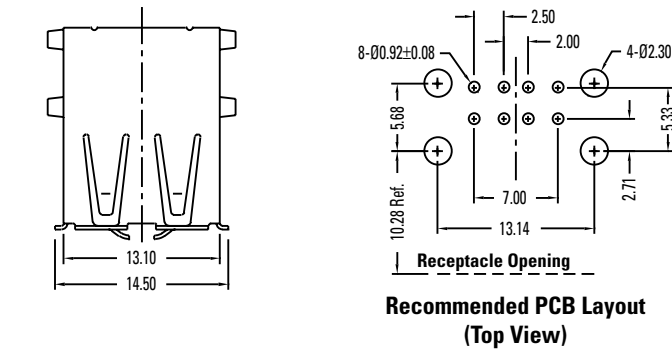
Recommended PCB Layout (Top View)

KUSB-BS-1-N-BLK

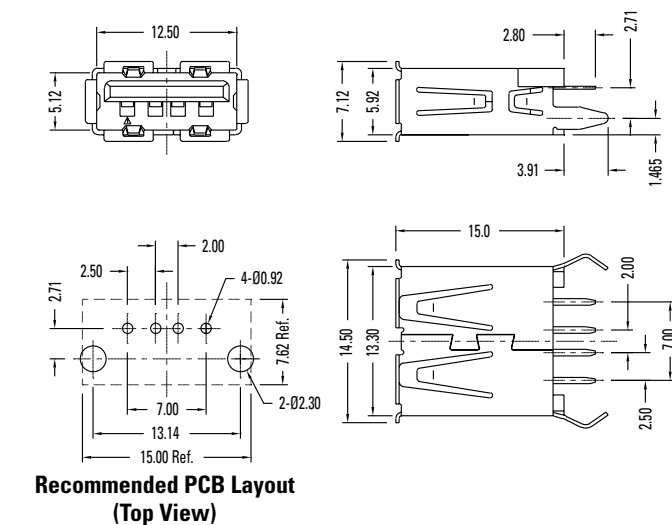


Dimensions in mm

KUSB-AS-2-N-BLK

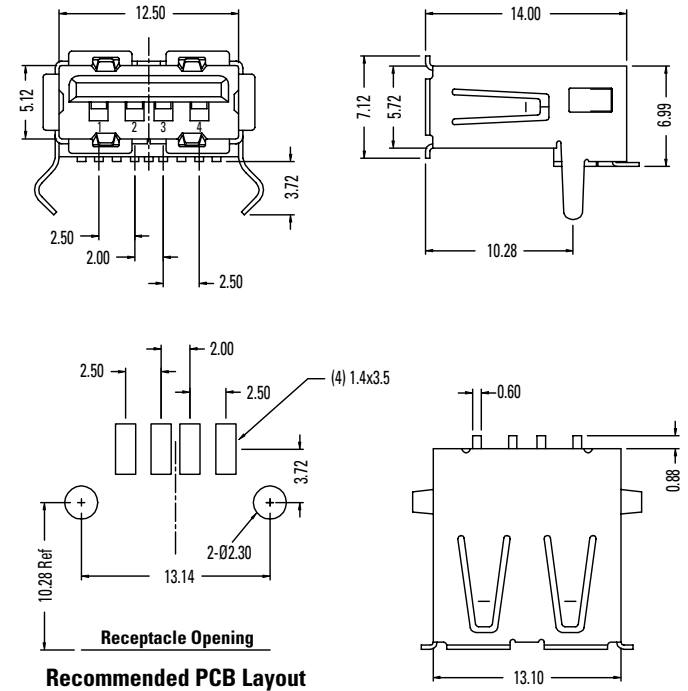


KUSBV-AS-1-N-BLK



Dimensions in mm

KUSB-SMT-AS-1-N-BLK



KUSB-SMT-BS1N-B

