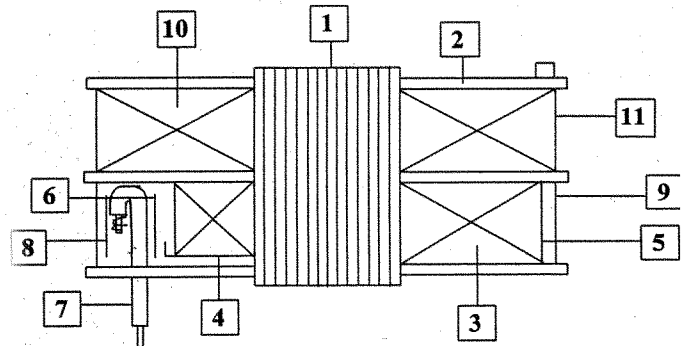
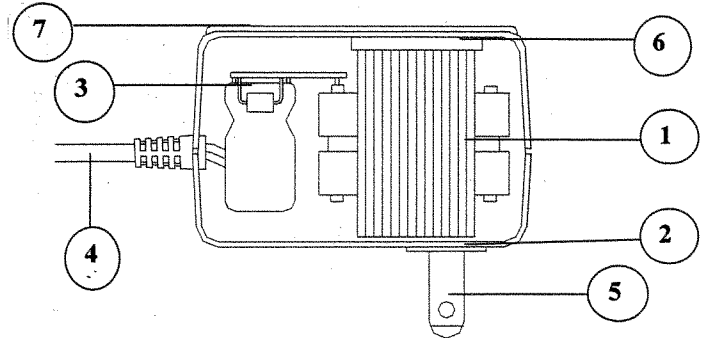




All information contained herein applies only to the above listed part number. Other versions of this part number with electrical or mechanical variations are available. Contact CUI Stack for further assistance. 9615 SW Allen Blvd., Ste. 103, Beaverton OR 97005
 800-275-4899 • 503-643-4899 • Fax: 503-643-6129 • www.cuistack.com

Parts Name	Specification	Q'ty
1. Transformer	EI- 41	1
2. Enclosure	Noryl SE-100	1
3. Print Wiring Board Assembly		
Print wiring Board	Phenolic 94V-0,105°C	1
Diode	50V 1A	4
Capacitor	1000uf 16V 85°C	1
Ceramic Capacitor	****uf V	
Resistor	***Ω W	1
4. Output Cord	AWG# 24 6 ft min	1
5. Blade	Ni plated brass	2
6. Foam	94HF-2 or FR212	1
7. Name Plate	Polyester Film	1



Part Name	Material & Type	Spec or Q'ty
1. Core	Silicon Steel	0.5mm
2. Bobbin	Polybutylene Terephthalate Valox 420-SEO	0.71mm min.
3. Primary Winding	NEW Thermelt Copper Wire 2NEW Polyurethane Enameled Copper Wire	mm 0.14mm
4. Primary Crossover	Acetate Tape	0.18mmx2PCS
5. Insulation Between Primary Lead Winding	Insulation Paper	0.125mmx3T
6. Insulation Between Primary Lead Winding	Mylar Board	0.18mmx1PC
7. Primary Lead Wire	1015 , 105°C UL Approved	AWG#22
8. Primary Outer Wrap	Insulation Paper	0.25mmx1PC
9. Primary Outer Wrap	Mylar Tape	0.025mmx2T
10. Secondary Winding	Polyurethane Enameled Copper Wire	0.5mm
11. Secondary Outer Wrap	Mylar Tape	0.025mmx2T



All information contained herein applies only to the above listed part number. Other versions of this part number with electrical or mechanical variations are available. Contact CUI Stack for further assistance. 9615 SW Allen Blvd., Ste. 103, Beaverton OR 97005
 800-275-4899 • 503-643-4899 • Fax: 503-643-6129 • www.cuistack.com

ITEM	SPEC	SAMPLE													
		1	2	3	4	5	6	7	8	9	10				
Primary Exciting Current	65 mA														
Input 120VAC, 60Hz	max	24	32												
Primary Load Current	85 mA														
Input 120VAC, 60Hz	max	73	77												
Secondary No Load DC Voltage	14 V ± 8 %	13.98	13.92												
Secondary DC Voltage Load 500mA	9 V ± 8 %	9.18	9.14												
Secondary Voltage Load mA	V ± %														
Secondary Voltage Load mA	V ± %														
Secondary Voltage Load mA	V ± %														
Ripple Voltage Load 500mA(PK-PK)	2.5 V - max	1.7	1.7												
Hi-Pot Test 1 mA for 1Min.	Pri. to Sec.	1.5 kvac	OK	OK											
	Pri. to Core	1.5 kvac	OK	OK											
	Sec. to Core	1 kvac	OK	OK											
Max. Temperature: 70°C Measured By Resistance Method (Primary Winding)															
Core Film: SPLIT Core : EI- 41															
Testing Circuit: 1000UF/16V Output Plug Drawing: PLUG:5.5X2.1mm															
Output conductor length: 6 ft MIN. (AWG# 24)															
Input conductor length: ft MIN. (AWG#)															
<p>(V)</p> <p style="text-align: center;">Characteristic Curve</p> <p style="text-align: right;">(mA)</p>															



All information contained herein applies only to the above listed part number. Other versions of this part number with electrical or mechanical variations are available. Contact CUI Stack for further assistance. 9615 SW Allen Blvd., Ste. 103, Beaverton OR 97005
800-275-4899 • 503-643-4899 • Fax: 503-643-6129 • www.cuistack.com

